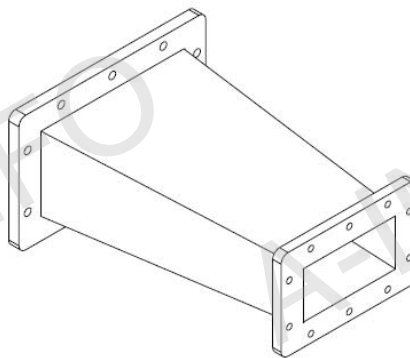
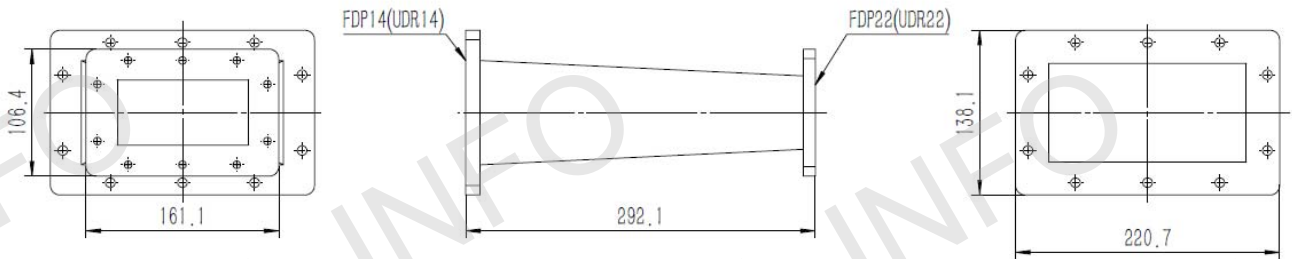


## Technical Specification

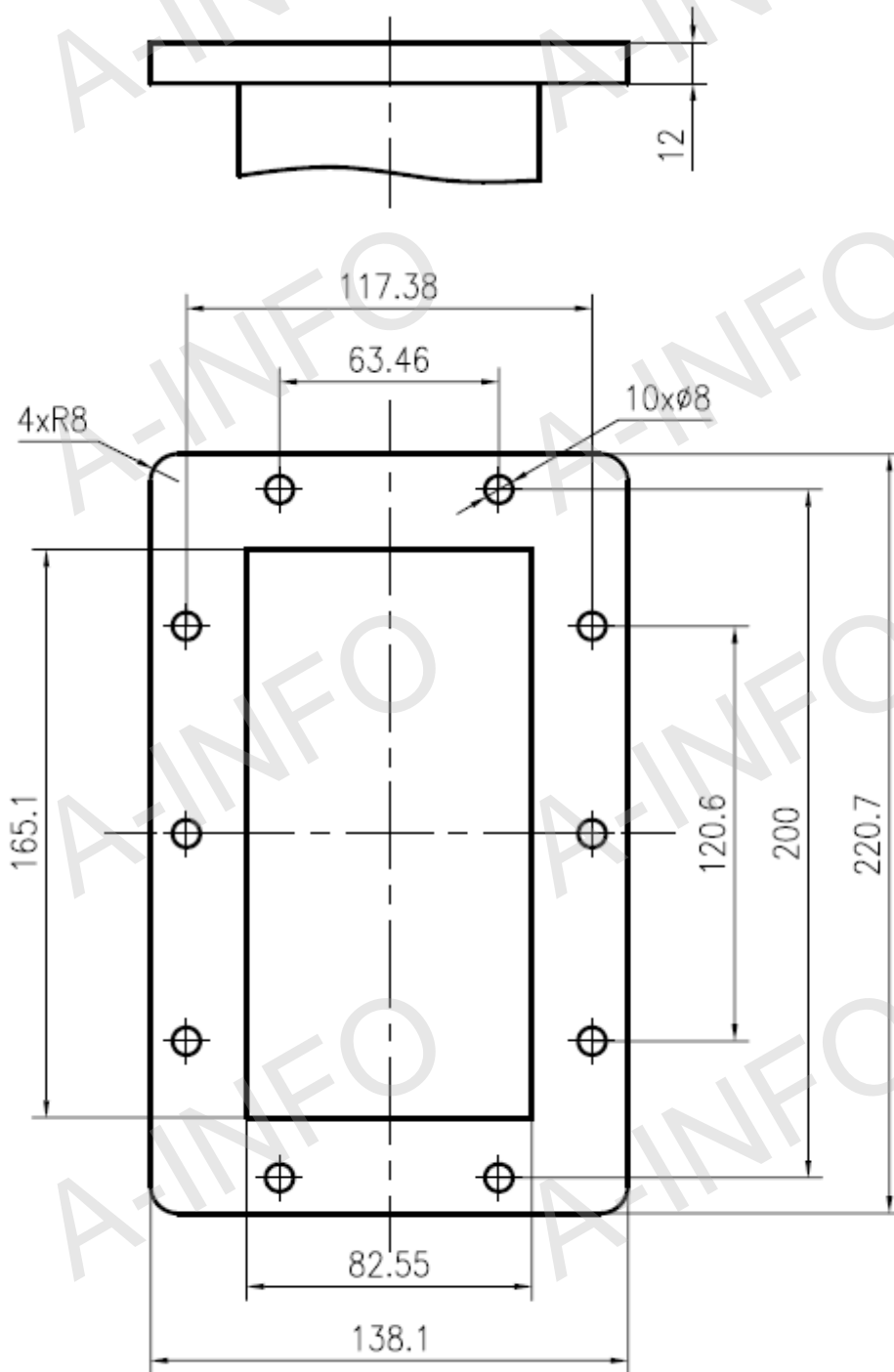


EIA WR to WR	WR650 to WR430
Frequency Range(GHz)	WR650: 1.12 – 1.70
	WR430: 1.70 – 2.60
VSWR	1.05:1 Max.
WR650 Flange	FDP14(UDR14)
WR430 Flange	FDP22(UDR22)
Material	Al
Size(mm)	292.1 x 220.7 x 138.1
Net Weight(Kg)	1.75 Around

## Outline Drawing (Size: mm)



## Outline Drawing (Size: mm)



## FDP14

AINFO Inc.

Page 2 of 4

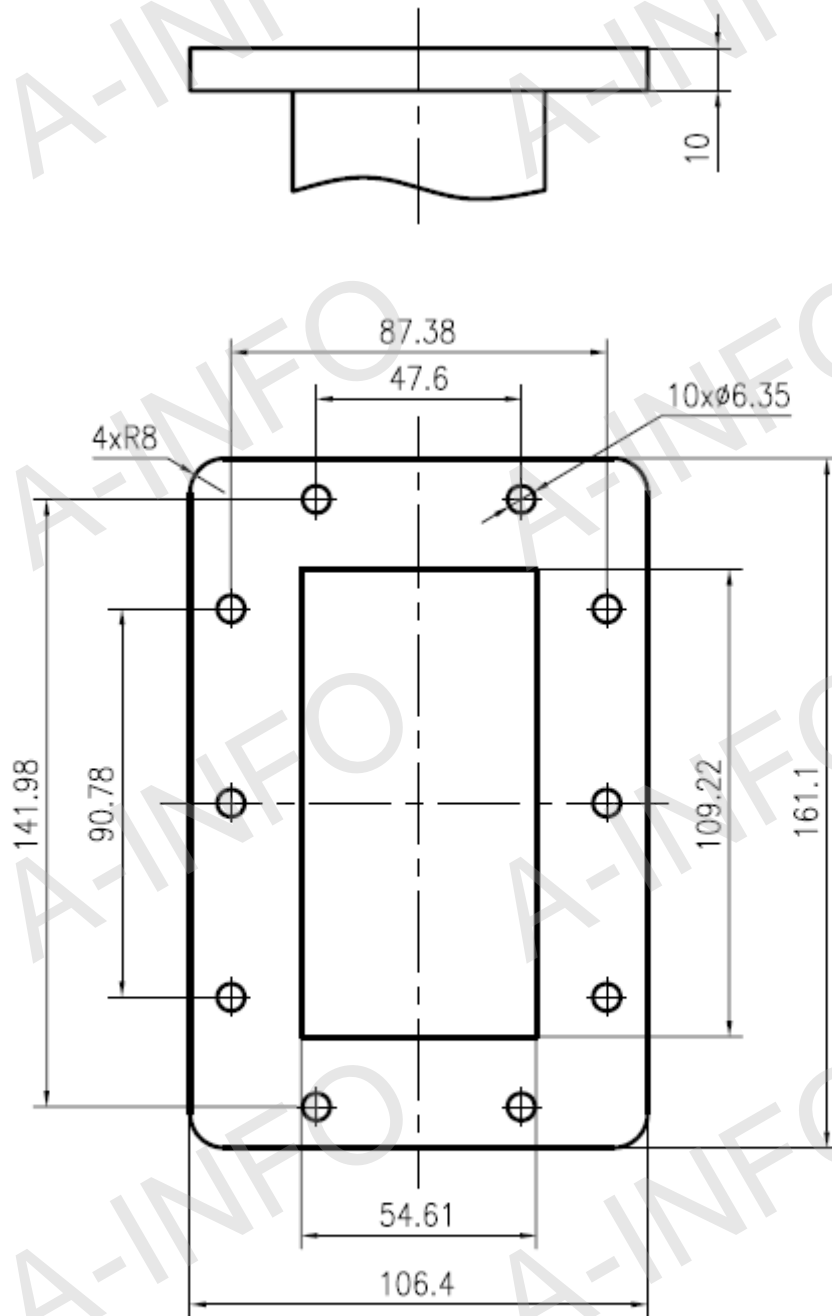
China(Beijing):  
China(Chengdu):  
USA :

Tel: (+86) 10-6266-7326,  
Tel: (+86) 28-8519-2786,  
Tel: (+1) 949-639-9688,

(+86) 10-6266-7327  
(+86) 28-8519-3044  
(+1) 949-639-9608

Fax: (+86) 10-6266-7379  
Fax: (+86) 28-8519-3068  
Fax: (+1) 949-639-9670

Website: [www.ainfoinc.com](http://www.ainfoinc.com)  
Email: [sales@ainfoinc.com](mailto:sales@ainfoinc.com)



## FDP22

AINFO Inc.

Page 3 of 4

China(Beijing):  
China(Chengdu):  
USA :

Tel: (+86) 10-6266-7326,  
Tel: (+86) 28-8519-2786,  
Tel: (+1) 949-639-9688,

(+86) 10-6266-7327  
(+86) 28-8519-3044  
(+1) 949-639-9608

Fax: (+86) 10-6266-7379  
Fax: (+86) 28-8519-3068  
Fax: (+1) 949-639-9670

Website: [www.ainfoinc.com](http://www.ainfoinc.com)  
Email: [sales@ainfoinc.com](mailto:sales@ainfoinc.com)

## Test Results

### VSWR

